



Products description and applicaiton


Apply to the offshore helideck for perimeter light(including moving platform and permanent platform,
 Suitable for offshore oil platform, loose pulley and any other hazardours areas or vessel's helideck,
 Certified to explosive gas atmosphere zone 1 and zone 2 area,
 Certified to explosive gas atmosphere IIA / IIB / IIC area,
 Suitable for T1-T6 temperature class.



Features

- o Stainless steel 316 light housing, with corrosion and vibration resistant features, IP protection can be IP67, suitable for hazardous outdoor environment.
- o Professional photometric design, use the high and low temperature resistant PC lens to make sure can be long term photometric qualified.
- o Tempered glass light cover, operation temperature can be -50°C, with 4J shock resistance, hot and cold upheaval resistance and 5Mpastatic pressure qualified features.
- o Lamp is using LED light source, design with professional heat simulation software to make sure the chips' temperature will lower than 85°C when operation to make sure the stable light illuminations.
- o With Dimming function, can use the PWM or RS485(0-100)to be stepless dimming to avoid light dazzle when pilot approaching.
- o Electromagnetic compatibility ability.

General Specifications

Certificate Issued by Certification No	CCRITC CCRI 16.1217X	TÜV Rheinland (0035) IECEX TUR 16.0053X	TÜV Rheinland (0035) TÜV 16 ATEX 7965X
Standard	GB3836.1-2010 GB3836.2-2010 CAP437 Edition 8 ICAO Annex 14 Offshore moving helideck classification standard-2016 GD22-2015	IEC 60079-0:2011 IEC 60079-1:2007 IEC 60598-2013	EN 60079-0:2012 EN 60079-12007
Marking	Ex d IIC T6 Gb	Ex db IIC T6 Gb IP67	 II2G Ex db IIC T6 Gb IP67
Electrical		Mechanical	
Rated Voltage	DC24V/AC100V~240V	Housing material	Stainless steel 316
Rated power consumption	<5W	Light cover	Tempered glass
Lamp source	LED	Humidity	10%~95%RH
Lightning surge	GD22-2015 L- L 0.5kV	Operating temperature	Ta-50°C ~ +60°C
	GD22-2015 L-G 1kV	IP rate	IP67
Electrostatic discharge	GD22-2015 air discharge 8kV	Corrosion resistant	C5
	GD22-2015 contact discharge 6kV	Cable gland	2-M20X1.5 (should use the appropriate EX cable gland)
EMC	GD22-2015	Wiring terminal	Suitable for cable Ø9~Ø14mm², and ≤2.5mm² lead wire reliable connected
		Weight	4.3 kg
Photometric			

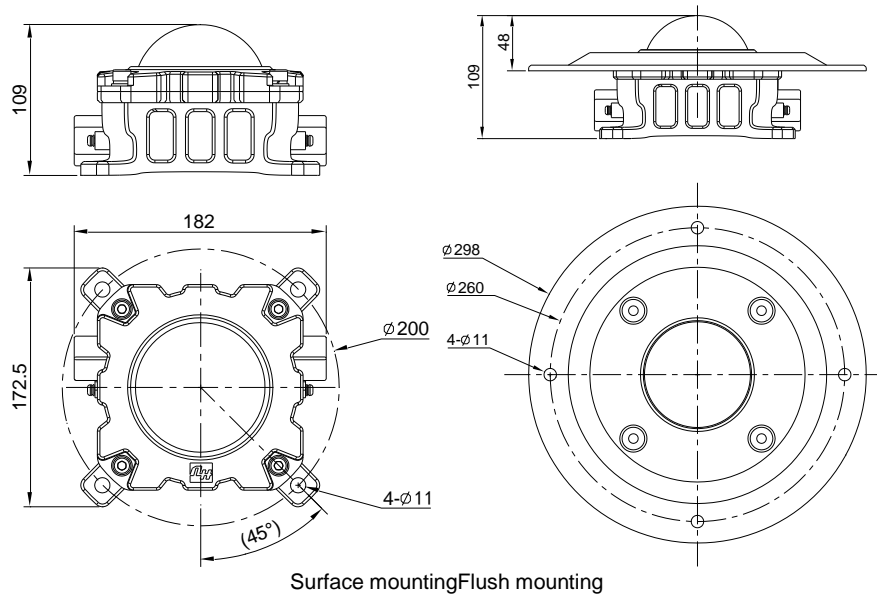
LP3 Perimeter Light



Intensity	30cd~60cd	Work mode	Steady burning
Vertical beam angle	90°	Horizon beam angle	360°
Light color	Green/Yellow/Blue/Red/White		

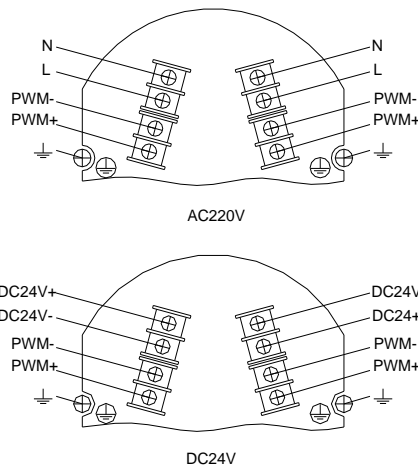
Mounting dimensions

Unit: mm



Surface mounting Flush mounting

Wiring diagram



How to Order

P/N	Model	Rated voltage	Dimming	Light color	Mounting method	Cable gland	Applied area
1000248-006	LP3	DC24V	PWM	Red	Surface mounting	2-M20X1.5	China
1000248-007	LP3	DC24V	PWM	Red	Flush mounting	2-M20X1.5	China
1000248-008	LP3	DC24V	PWM	Green	Surface mounting	2-M20X1.5	China
1000248-009	LP3	AC100V~240V	PWM	Green	Surface mounting	2-M20X1.5 EX cable gland	China
1000248-010	LP3	AC100V~240V	PWM	Green	Flush mounting	2-M20X1.5 EX cable gland	China
1000248-011	LP3	AC100V~240V	PWM	Red	Flush mounting	2-M20X1.5 EX cable gland	China

Model definition

LP	3	1	1	A
----	---	---	---	---

LP3 Perimeter Light



		2	2 3 4 5	B
Explosion proof	S/N	[1]DC24V [2]AC100~240V	[1]Green [2]Red [3]Yellow [4]Blue [5]White	[A] Surface mounting [B] Flush mounting

Thanks for choosing our products, NANHUA Electronics is the professional brand of signal transmission and high quality industrial lighting which is trusted and loved by global users from various industries. Read and understand these instructions completely and carefully. Wrong installation and operation may lead to fires, electric shock, and others. Due to our continued efforts to improve our products, product specifications are subject to change without notice.
©NANHUA Electronics Co., Ltd. All rights reserved. www.nanhua.com