

LW46E LED Linear Light



Products description and application



LW46E is an auxiliary light which can be used harsh environment, like Port machinery (STS crane, RTG crane, RMG crane), Wind turbines (nacelle, tower, hub), vessel (ceiling, walkway). Product has the features of waterproof, corrosion resistant and vibration resistant.

Standard: IEC60598-1/IEC60068-2/IEC60529/IEC62262/EN55015

Features

- High luminous efficacy, high stability
Product uses high quality LED chips and drivers, improve the luminous efficacy and operating stability
- Tempered glass cover prevent aging problem in outdoor application
- Regular beam angle and wide beam angle design
Regular beam angle, protect from being ageing and fading. Frosted finishing process to prevent the glaring.
Special wide beam lens design, improves the lighting uniformity on the walkway, reduce the dark area between two lights, and improve the lighting utilization
- Long lifetime and eco-friendly
LEDs lifetime is 50,000 hours, energy saving 50% comparing with conventional lighting, maintenance free.
- Product has compact structure, light weight, adjustable mount holes, easy to mount at site.

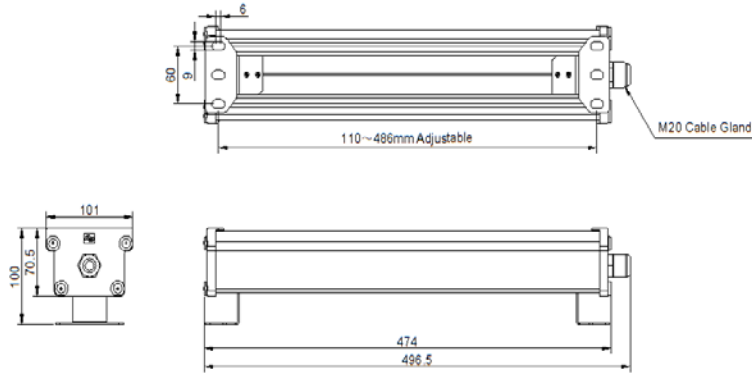
General Specifications

Electrical		Mechanical	
Rated voltage	AC100V~AC277V	Body material	Aluminum
Frequency	50Hz~60Hz	Cover material	Tempered glass
Rated power consumption	15W	Operating temperature	Ta-30°C~+55°C(Over-heat protection)
Power factor	>0.9	IP Rate	IEC60529 IP65
Surge	IEC 61000-4-5 ±2KV Level 3	Anti-vibration	IEC60068 3G
ESD	IEC 61000-4-2 ±8KV Level 4	IK Rate	IEC62262 IK08
EFT	IEC 61000-4-4 ±2KV Level 3	Salt spray rate	ISO9227 720H
EMC	EN55015	Body color	Silver
		Weight	2.2Kg
Photometric			
LEDs lifetime	≥50,000h		
Color temperature	5500K-6000K		
LED luminous efficacy	Regular (Cold white): 100 lm/w Wide (Cold white):120 lm/w		
CRI	Ra≥70		
Beam angle	Regular beam/Wide beam		

LW46E LED Linear Light



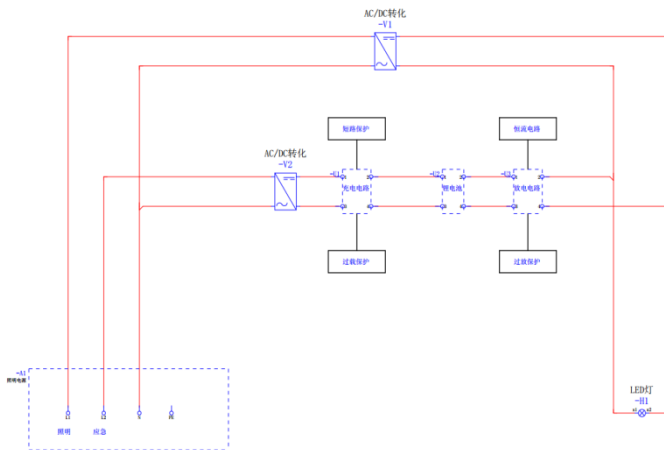
Mounting dimensions



Installation and Operation

- Ensure the input voltage is correct before power on.
- Fix product to mount face by using 2nos. or 4nos. M8 screws(not provided), ensure mount surface is flat and has enough mechanical strength.
- Keep light board arrow upward when install the product.
- No requirement of installation height.

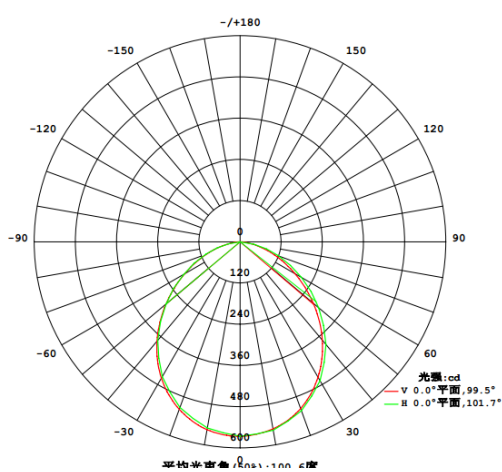
Wiring diagram



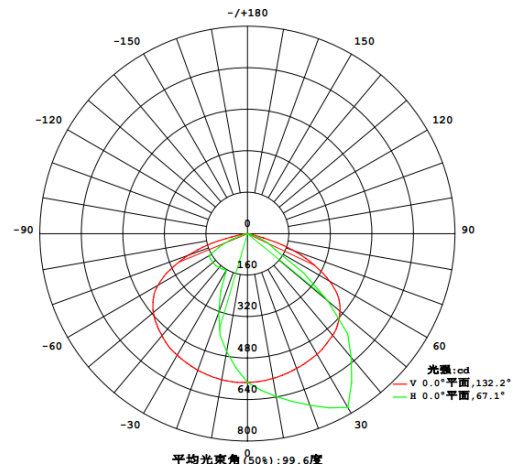
Caution

- It is normal phenomenon that the lighting surface temperature rising while it is operating.
- Do not open the product while it is operating to prevent danger.
- Turn off the power when repair or maintain the product, all wiring should be done by a licensed electrician.
- Do not cover the product with any objects.
- Product is sealed structure, warranty is terminated if unauthorized people maintain the product.

Lighting distribution curve



Regular beam angle



Wide beam angle

LW46E LED Linear Light



How to Order

P/N	Power	Voltage	CCT	Lead wire	Mount	备注
1000361-001	15W	AC100V-AC277V	5500K-6000K	1 meter, one side	Hole distance 60mm(ϕ 9*15mm), mid hole(ϕ 9*15mm), mount feet distance (110-486mm adjustable)	

Thanks for choosing our products, NANHUA Electronics is the professional brand of signal transmission and high quality industrial lighting which is trusted and loved by global users from various industries. Read and understand these instructions completely and carefully. Wrong installation and operation may lead to fires, electric shock, and others. Due to our continued efforts to improve our products, product specifications are subject to change without notice.
©NANHUA Electronics Co., Ltd. All rights reserved. www.nanhua.com