

# LW21 LED Work Light



## Products description and application

LW21 series LED work lights adopt engineering machinery lighting technology. Product has features of long lifetime, safety operation, maintenance free by using brand high power LED light source, suit for the application of engineering machinery, mining machinery, heavy duty truck, etc.

Standard: GB7000.1/GB2423/DIN40050/GB4208/IEC60529/IEC60598/IEC62262/EN 55015/CISPR 15.

## Features

- Engineering lighting technology. Product uses reliable and high efficient LED light source, has the advantages of high brightness, long lifetime, energy saving and environment friendly.
- Fin type structure design, product has good integrity, excellent heat dissipation, light weight and good anti-vibration capacity.
- Special finish technology, product has sealed structure, anti-corrosion and anti-oxidation, suit for strong salinity coastal areas.
- Integrated lens and housing design, professional light pattern.
- Multi color temperatures for option. Product has high color rendering index with good color rendering, prevent glaring, and improve visibility.
- Instant on/off, turn on in low temperature(-40°C)
- Adjustable mount bracket, range from 0° to 180°
- Wide input voltage range, product has protection circuits of over voltage, over temperature, short circuit, product operates more stable by using constant current design.
- Product has built-in connector, easy to use.

## General Specifications

Electrical		Mechanical	
Rated voltage	DC18V~DC32V	Body material	Aluminum
Rated power consumption	18W 20W	Cover material	PC
Lightning surge	IEC 61000-4-2: ±1000V	Operating temperature	Ta -40°C ~ +70°C
Electrostatic discharge	IEC 61000-4-5: ±8KV	IP rate	IEC60529 IP68/IP69K
EMC	EN 55015/ CISPR 15	Anti-vibration	IEC60598 30G
Connect	Lead wire / connector	Anti-shock	IEC60598 60G
		IK rate	IEC62262 IK08
		Anti-corrosion	ISO9227 720H / C5-M
		Body color	Black
		Weight	0.6kg
		Mount	M10 stainless steel bolt
Photometric			
LEDs lifetime	≥50000h		
Color temperature	Cold white: 5700K	Warm white: 2700K	
Lumens	Cold white: 2260lm(18W) 2550lm(20W)	Warm white: 1500lm(18W) 1800 lm(20W)	
Beam angle	50°×30° (Polarized) /		

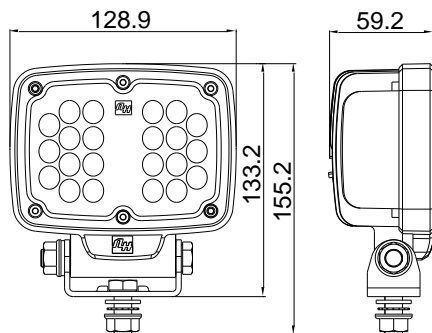
# LW21 LED Work Light



40°×30° (Symmetrical)

## Mounting dimensions

Unit: mm



## Installation and operation

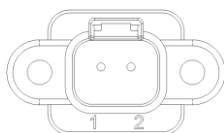
- Product has built-in connector, please use Deutsch connector DT06-2S to connect.
- Refer the wiring diagram.
- Fix connector well when connect to prevent loose.
- Connect red line to "+" and black line to "-".
- Product is maintenance free, please add fuse (3-5A) in power input side.
- Ensure the input voltage is correct.
- Fix product to mount face by using M10 screws, ensure mount surface is flat and has enough mechanical strength.
- Product has asymmetrical light distribution design, mount product upward when product uses white seal ring, mount product downward when product uses black seal ring.
- Beam angle 50°×30° is polarized optics design, Beam angle 40°×30 is symmetrical optics design which can be installed at will.

## Caution

- Ensure the input voltage is correct.
- Fix mount bracket and product well before start to use.
- It is normal phenomenon that the lighting surface temperature rising while it is operating.
- Risk of corrosion. Housing material is polycarbonate, not allowed to direct or indirect contact with industrial spirit banana oil.

## Wiring diagram

### 1. Connector



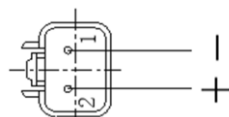
Built-in connector: 1-"positive" 2-"negative"  
(Default factory Settings)

Customizable requirements: 1-"negative" 2-"positive"  
or other connectors.

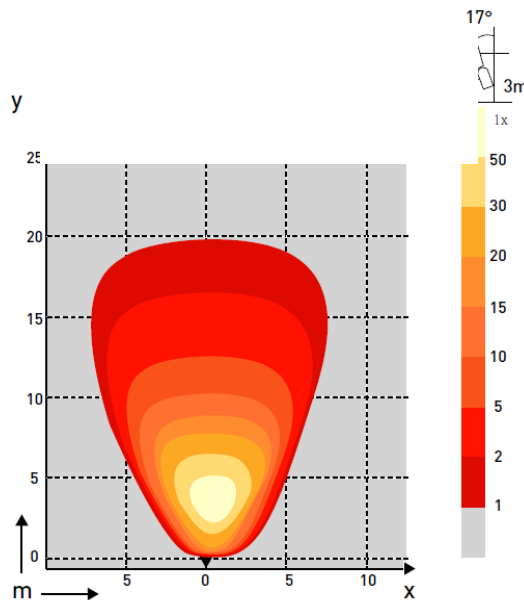
### 2. Lead wire



### 3. Connector(DT06-2S)



## Light distribution pattern



## How to Order

P/N	Model	Power	Voltage	Color temperature	Beam angle	Wiring	Mount	Others
-----	-------	-------	---------	-------------------	------------	--------	-------	--------

Thanks for choosing our products, NANHUA Electronics is the professional brand of signal transmission and high quality industrial lighting which is trusted and loved by global users from various industries.

Read and understand these instructions completely and carefully. Wrong installation and operation may lead to fires, electric shock, and others. Due to our continued efforts to improve our products, product specifications are subject to change without notice.

©NANHUA Electronics Co., Ltd. All rights reserved. www.nanhua.com